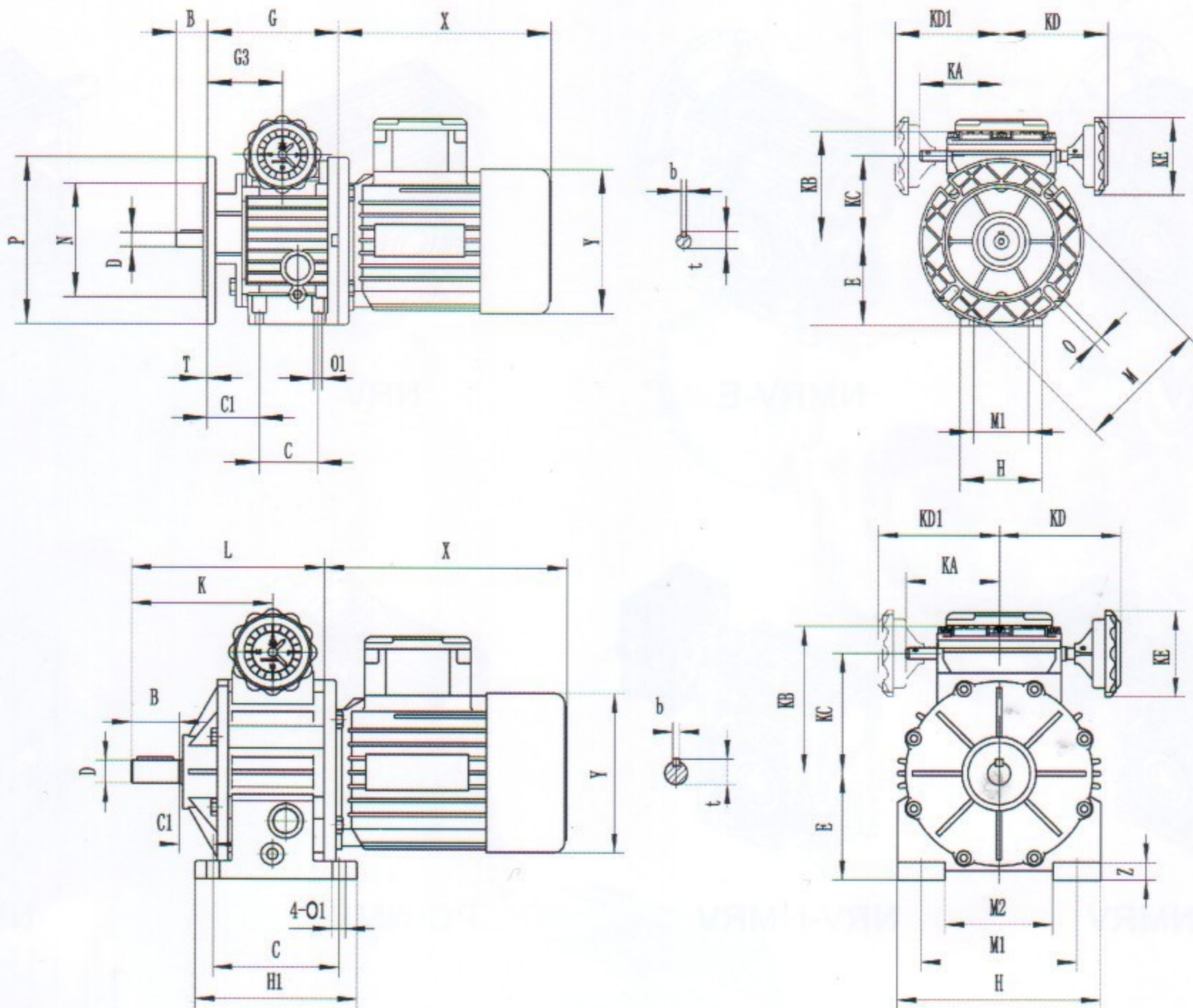
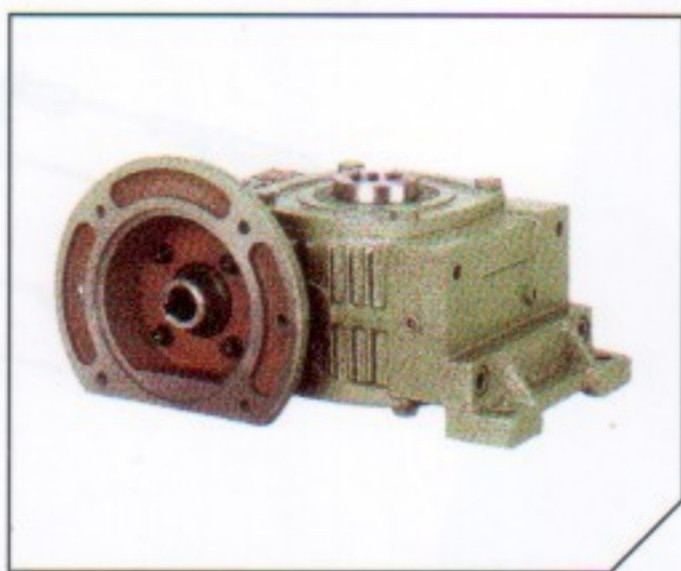
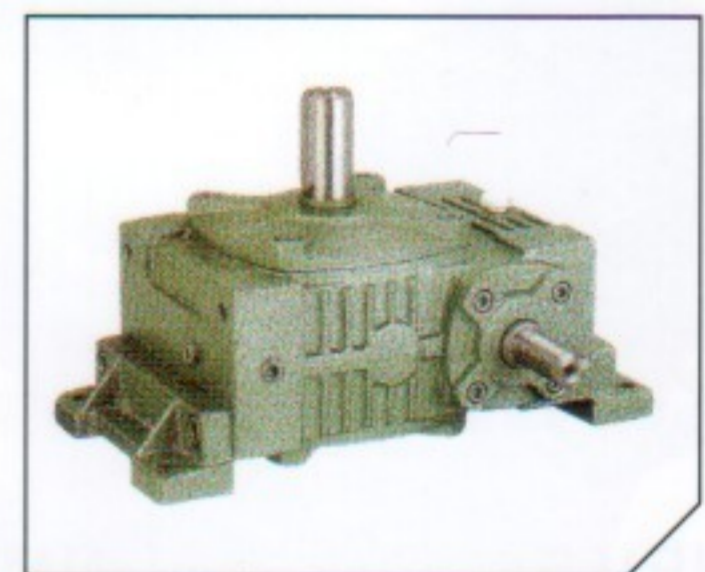
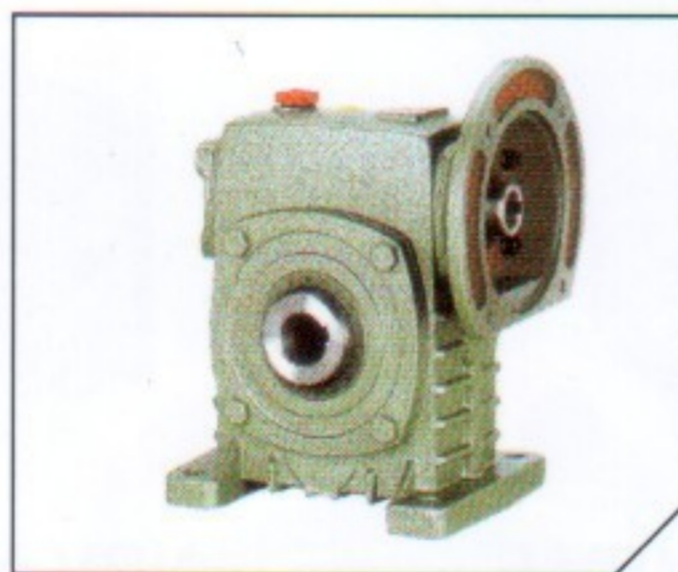


**SPEED VARIATOR**

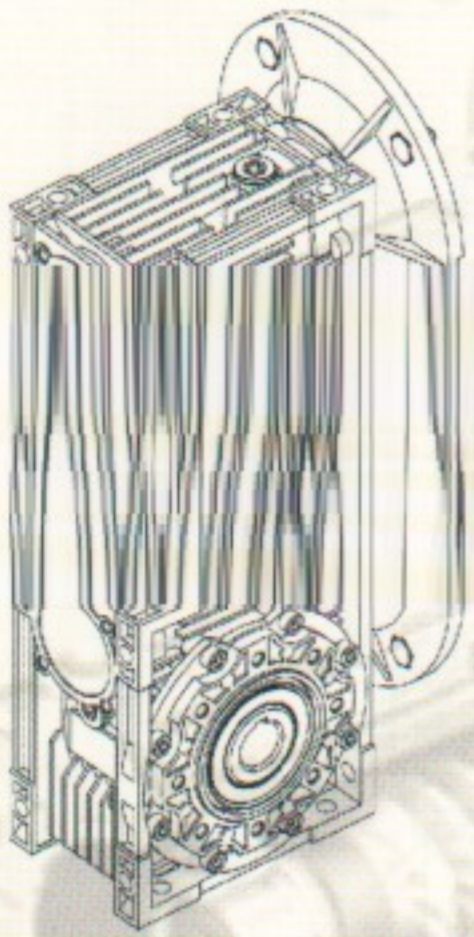


**WORM GEAR REDUCERS IN CAST IRON HOUSING**

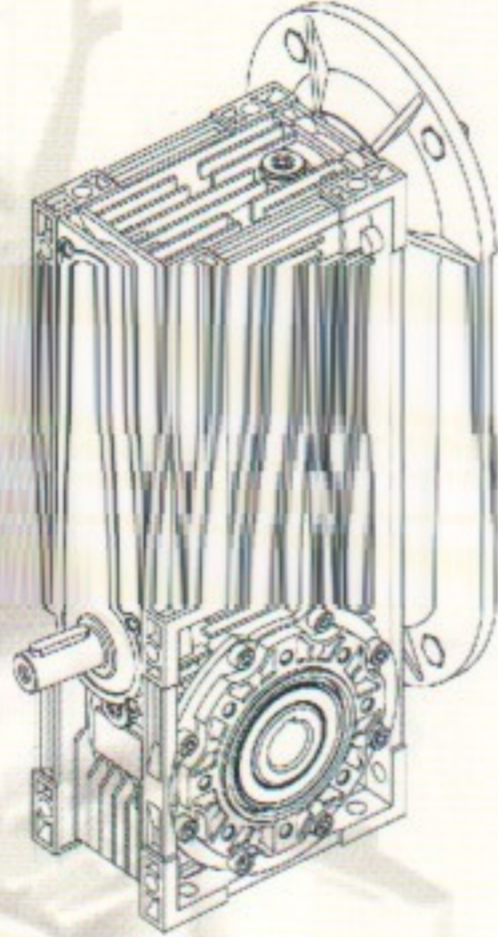




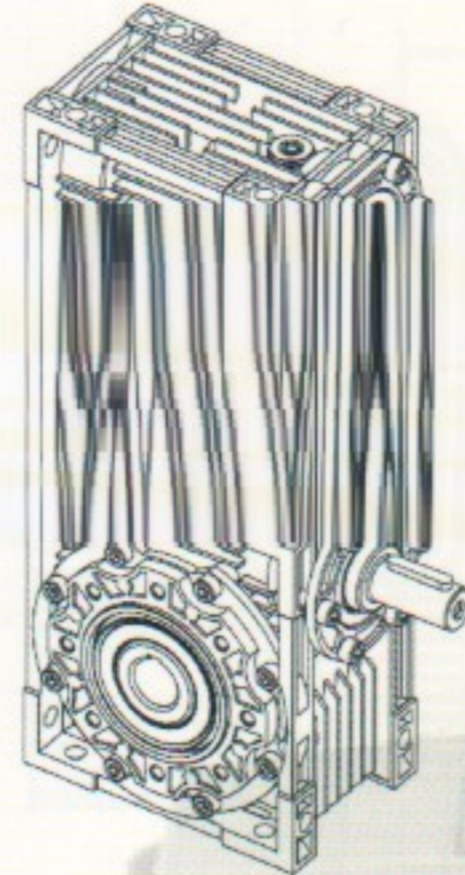
**WORM GEAR REDUCER**



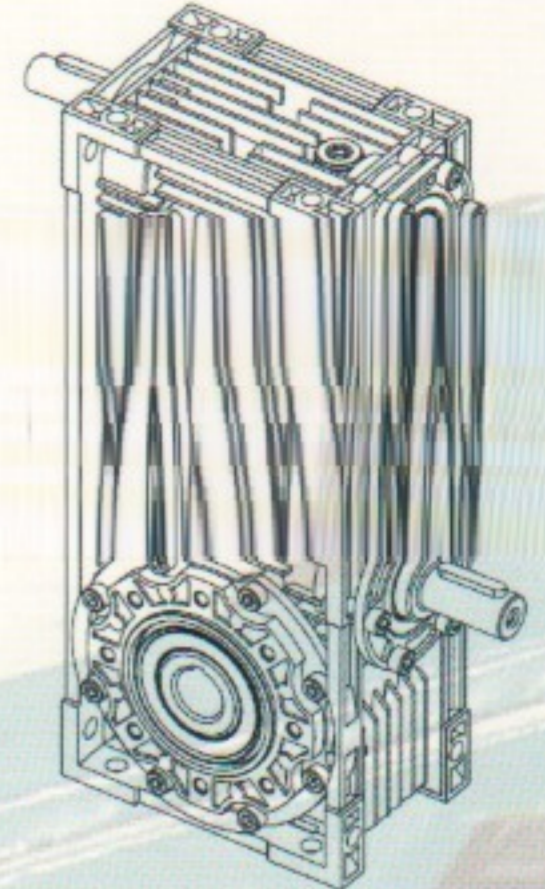
NMRV



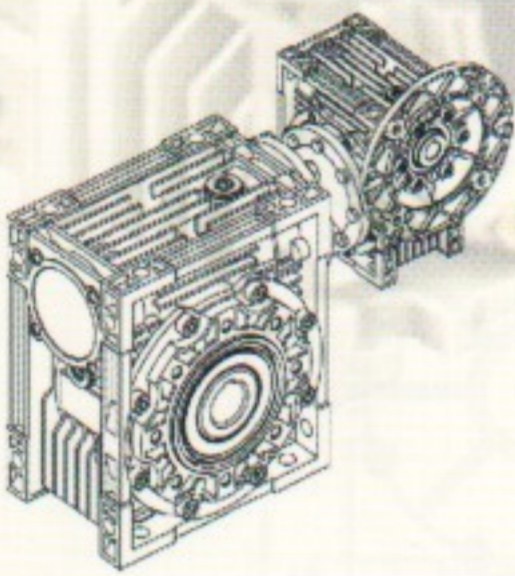
NMRV-E



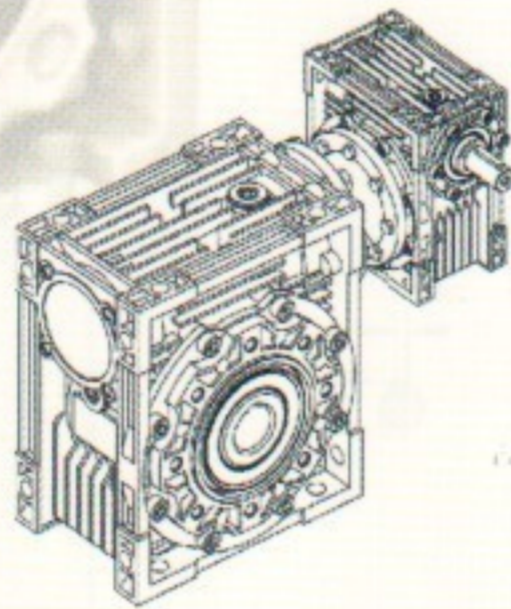
NRV



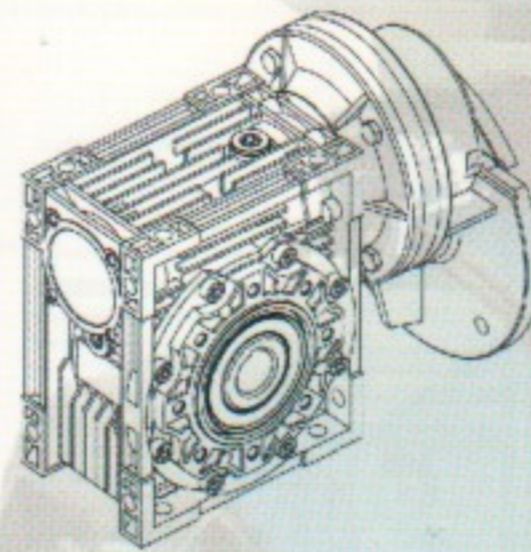
NRV-E



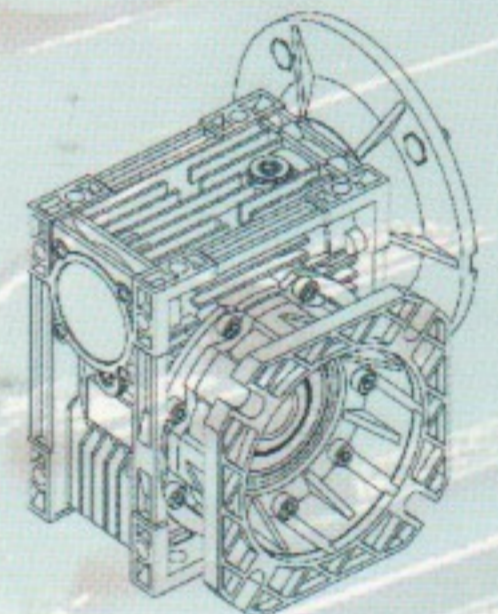
NMRV-NMRV



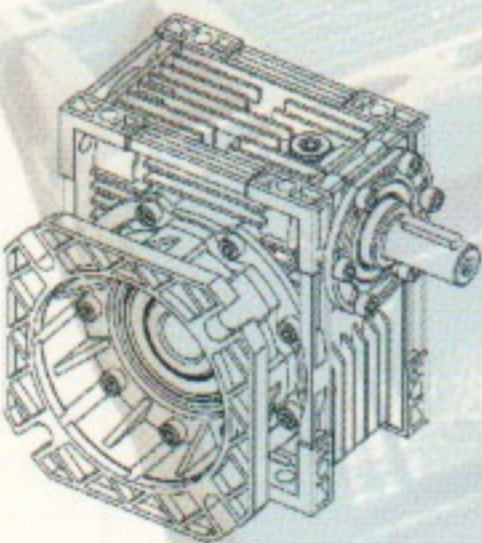
NRV-NMRV



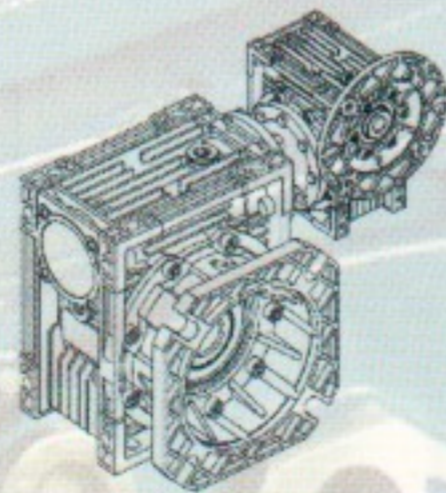
PC-NMRV



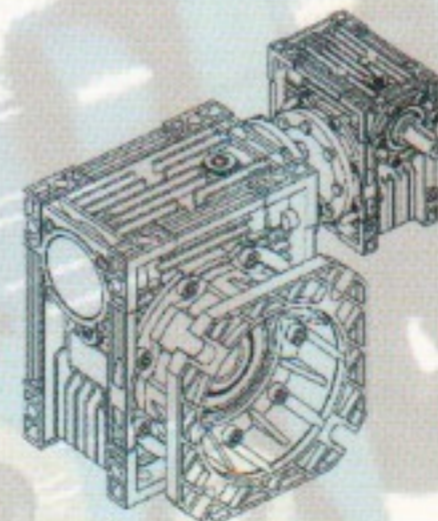
NMRV F



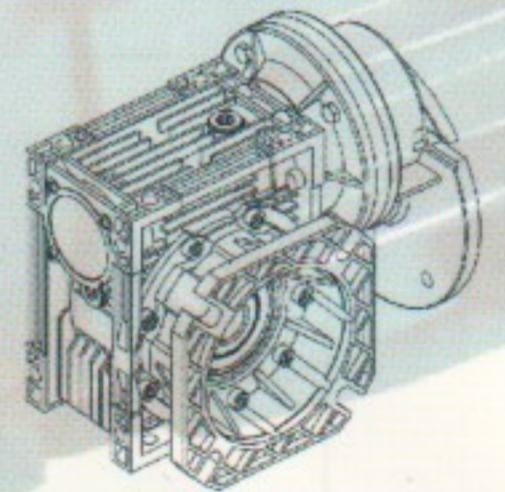
NRV F



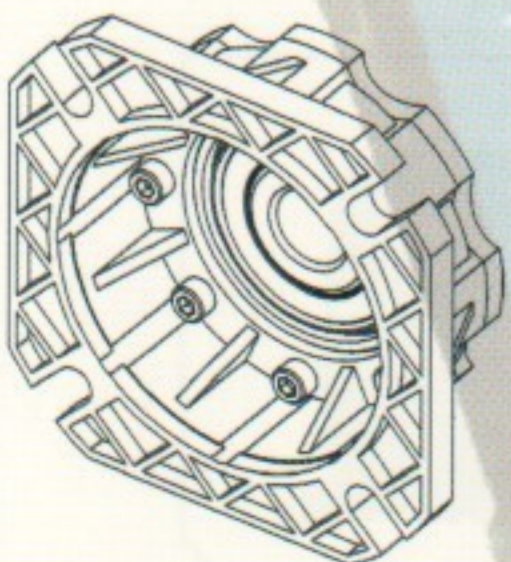
NMRV-NMRV F



NRV-NMRV F



PC-NMRV F



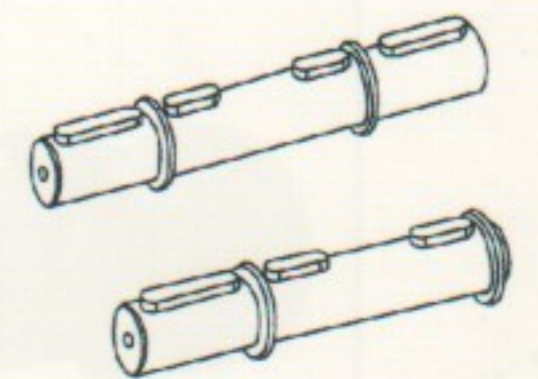
OUTPUT FLANGE



ANTI-DUST CAP



TORQUE ARM



OUTPUT SHAFT